



CANADIAN 605W MONO PANELS



Perfect Compatibility



Flexible Investment



More Usable Energy



Safe & Reliable

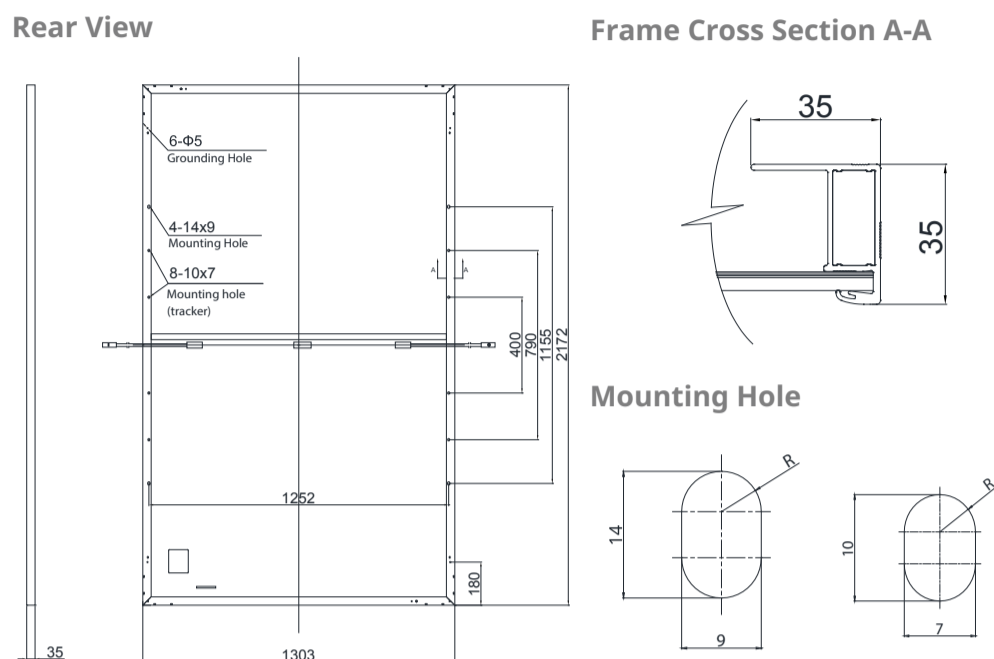
oxbow

 **CanadianSolar**

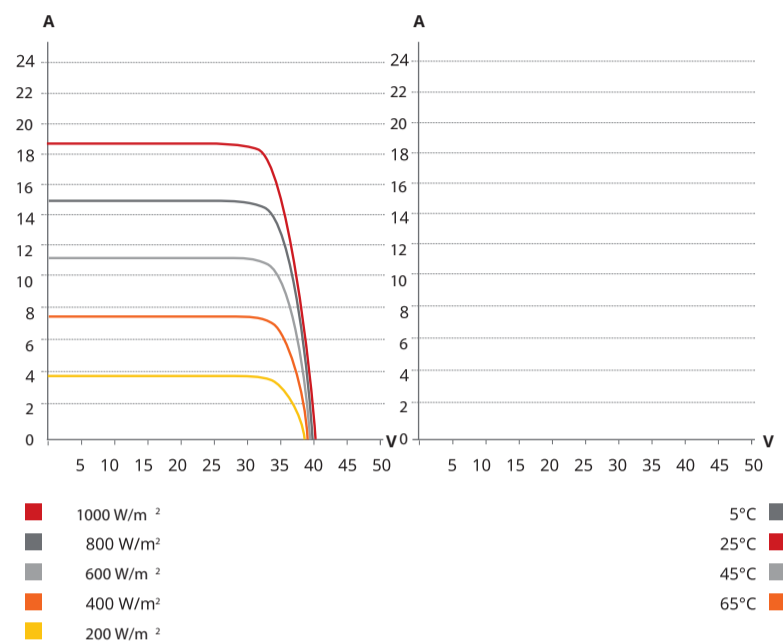
CANADIAN 605W MONO PANELS

Specifications

Engineering Drawing (mm)



CS7L-590MS / I-V Curves



Electrical Data | STC*

CS7L	605MS
Nominal Max. Power (Pmax)	605 W
Opt. Operating Voltage (Vmp)	35.1 V
Opt. Operating Current (Imp)	17.25 A
Open Circuit Voltage (Voc)	41.5 V
Short Circuit Current (Isc)	18.52 A
Module Efficiency	21.4%
Operating Temperature	-40°C ~ +85°C
Max. System Voltage	1500V (IEC) or 1000V (IEC)
Module Fire Performance	CLASS C (IEC 61730)
Max. Series Fuse Rating	30 A
Application Classification	Class A
Power Tolerance	0 ~ + 5 W

* Under Standard Test Conditions (STC) of irradiance of 1000 W/m², spectrum AM 1.5 and cell temperature of 25°C. Measurement uncertainty: ±3 % (Pmax).

Electrical Data | NMOT*

CS7L	605MS
Nominal Max. Power (Pmax)	454 W
Opt. Operating Voltage (Vmp)	32.9 V
Opt. Operating Current (Imp)	13.80 A
Open Circuit Voltage (Voc)	39.2 V
Short Circuit Current (Isc)	14.93 A

* Under Nominal Module Operating Temperature (NMOT), irradiance of 800 W/m² spectrum AM 1.5, ambient temperature 20°C, wind speed 1 m/s.

* The specifications and key features contained in this datasheet may deviate slightly from our actual products due to the on-going innovation and product enhancement. CSI Solar Co., Ltd. reserves the right to make necessary adjustment to the information described herein at any time without further notice. Please be kindly advised that PV modules should be handled and installed by qualified people who have professional skills and please carefully read the safety and installation instructions before using our PV modules.



Mechanical Data

Specification	Data
Cell Type	Mono-crystalline
Cell Arrangement	120 [2 x (10 x 6)]
Dimensions	2172 x 1303 x 35 mm (85.5 x 51.3 x 1.38 in)
Weight	31.4 kg (69.2 lbs)
Front Cover	3.2 mm tempered glass
Frame	Anodized aluminium alloy, crossbar enhanced
J-Box	IP68, 3 bypass diodes
Cable	4 mm² (IEC)
Cable Length (Including Connector)	460 mm (18.1 in) (+) / 340 mm (13.4 in) (-) or customized length*
Connector	PV-KST4/xy-UR, PV-KBT4/xy-UR (IEC 1000 V) or T4-PC-1 (IEC 1500 V) or PV-KST4-EVO2/XY, PV-KBT4-EVO2/XY (IEC 1500 V) or UTXCFA4AM, UTXCMA4AM (IEC 1500 V)
Per Pallet	31 pieces
Per Container (40' HQ)	527 pieces

* For detailed information, please contact your local Canadian Solar sales and technical representatives.

Temperature Characteristics

Specification	Data
Temperature Coefficient (Pmax)	-0.34 % / °C
Temperature Coefficient (Voc)	-0.26 % / °C
Temperature Coefficient (Isc)	0.05 % / °C
Nominal Module Operating Temperature	41 ± 3°C

MANAGEMENT SYSTEM CERTIFICATES*

ISO 9001:2015 / Quality management system
 ISO 14001:2015 / Standards for environmental management system
 ISO 45001: 2018 / International standards for occupational health & safety

PRODUCT CERTIFICATES*

IEC 61215 / IEC 61730 / INMETRO
 UL 61730 / IEC 61701 / IEC 62716
 Take-e-way
 Canadian Solar recycles panels at the end of life cycle

