



## CANADIAN 550 / 575 / 580W MONO PANELS



Perfect Compatibility



Flexible Investment



More Usable Energy



Safe & Reliable

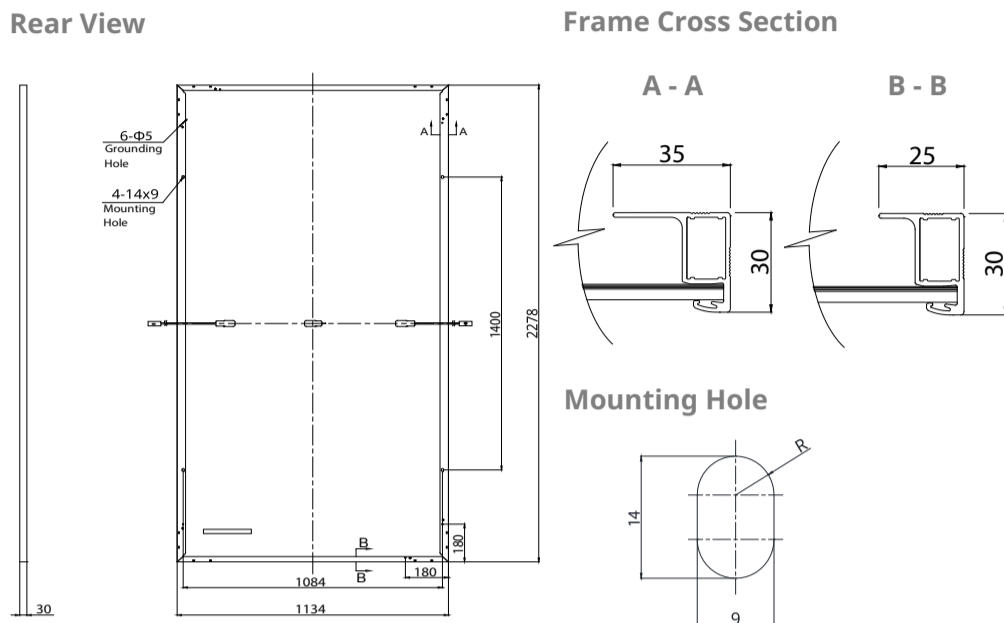
**oxbow**

 **CanadianSolar**

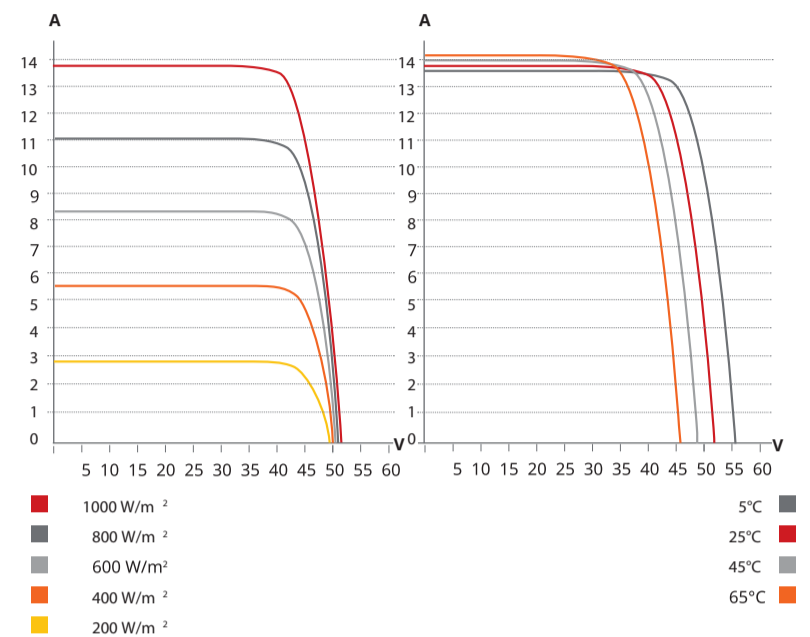
# CANADIAN 550/ 575/ 580W MONO PANELS

## Specifications

### Engineering Drawing (mm)



### CS6W-570T / I-V CURVES



### Electrical Data | STC\*

CS6W	550T	575T	580T
Nominal Max. Power (Pmax)	550 W	575 W	580 W
Opt. Operating Voltage (Vmp)	42.3 V	42.9 V	43.1 V
Opt. Operating Current (Imp)	13.24 A	13.41 A	13.46 A
Open Circuit Voltage (Voc)	51.4 V	52.0 V	52.2 V
Short Circuit Current (Isc)	13.69 A	13.88 A	13.93 A
Module Efficiency	21.7%	22.3%	22.5%
Operating Temperature	-40°C ~ +85°C		
Max. System Voltage	1500V (IEC/UL) or 1000V (IEC/UL)		
Module Fire Performance	TYPE 1 (UL 61730 1500V) or TYPE 2 (UL 61730 1000V) or CLASS C (IEC 61730)		
Max. Series Fuse Rating	25 A		
Application Classification	Class A		
Power Tolerance	0 ~ + 5 W		

\* Under Standard Test Conditions (STC) of irradiance of 1000 W/m<sup>2</sup>, spectrum AM 1.5 and cell temperature of 25°C. Measurement uncertainty: ±3 % (Pmax).

### Electrical Data | NMOT\*

CS6W	550T	575T	580T
Nominal Max. Power (Pmax)	424 W	435 W	439 W
Opt. Operating Voltage (Vmp)	40.0 V	40.6 V	40.7 V
Opt. Operating Current (Imp)	10.59 A	10.72 A	10.77 A
Open Circuit Voltage (Voc)	48.7 V	49.2 V	49.4 V
Short Circuit Current (Isc)	11.04 A	11.19 A	11.23 A

\* Under Nominal Module Operating Temperature (NMOT), irradiance of 800 W/m<sup>2</sup> spectrum AM 1.5, ambient temperature 20°C, wind speed 1 m/s.

\* The specifications and key features contained in this datasheet may deviate slightly from our actual products due to the on-going innovation and product enhancement. CSI Solar Co., Ltd. reserves the right to make necessary adjustment to the information described herein at any time without further notice.

Please be kindly advised that PV modules should be handled and installed by qualified people who have professional skills and please carefully read the safety and installation instructions before using our PV modules.



### Mechanical Data

Specification	Data
Cell Type	Mono-crystalline
Cell Arrangement	144 [2 x (12 x 6)]
Dimensions	2278 x 1134 x 30 mm (89.7 x 44.6 x 1.18 in)
Weight	27.6 kg (60.8 lbs)
Front Cover	3.2 mm tempered glass with anti-reflective coating
Frame	Anodized aluminium alloy,
J-Box	IP68, 3 bypass diodes
Cable	4 mm <sup>2</sup> (IEC), 12 AWG (UL)
Cable Length (Including Connector)	350 mm (13.8 in) (+) / 250 mm (9.8 in) (-) or customized length*
Connector	Titan: T6 Stäubli: PV-KST4/xy-UR, PV-KBT4/xy-UR or PV-KST4-EVO2/XY, PV-KBT4-EVO2/XY or PV-KST4-EVO2A/XY, PV-KBT4-EVO2A/XY
Per Pallet	35 pieces
Per Container (40' HQ)	700 pieces

\* For detailed information, please contact your local Canadian Solar sales and technical representatives.

### Temperature Characteristics

Specification	Data
Temperature Coefficient (Pmax)	-0.29 % / °C
Temperature Coefficient (Voc)	-0.25 % / °C
Temperature Coefficient (Isc)	0.05 % / °C
Nominal Module Operating Temperature	41 ± 3°C

### MANAGEMENT SYSTEM CERTIFICATES\*

ISO 9001: 2015 / Quality management system  
 ISO 14001: 2015 / Standards for environmental management system  
 ISO 45001: 2018 / International standards for occupational health & safety  
 IEC 62941: 2019 / Photovoltaic module manufacturing quality system

### PRODUCT CERTIFICATES\*

IEC 61215 / IEC 61730 / CE / INMETRO / MCS / UKCA / CGC  
 UL 61730 / IEC 61701 / IEC 62716 / IEC 60068-2-68

CONTACT OXBOW:



08610 OXBOW



SALES@OXBOWSA.CO.ZA

**oxbow**